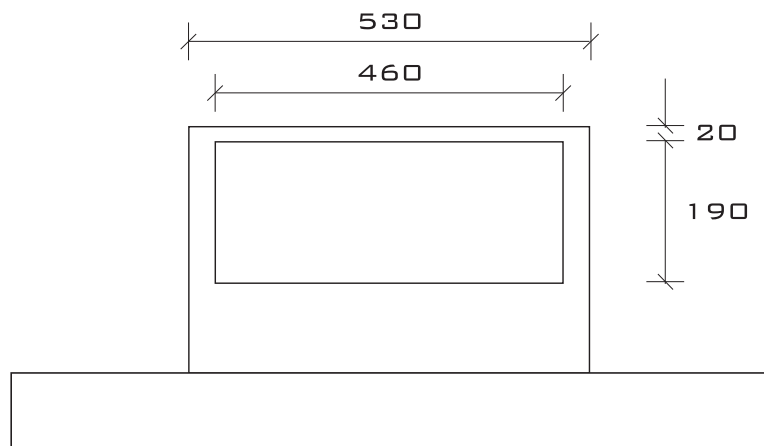
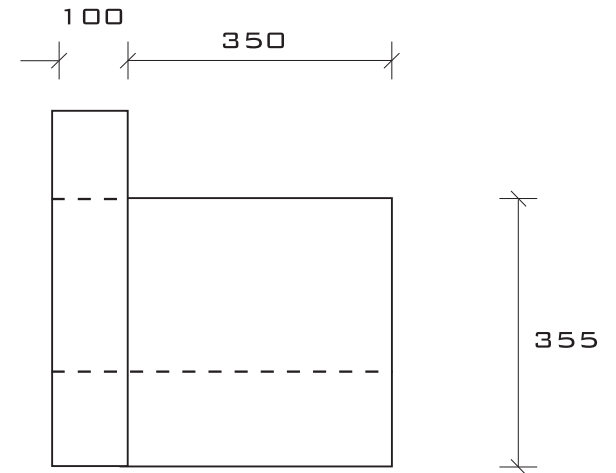
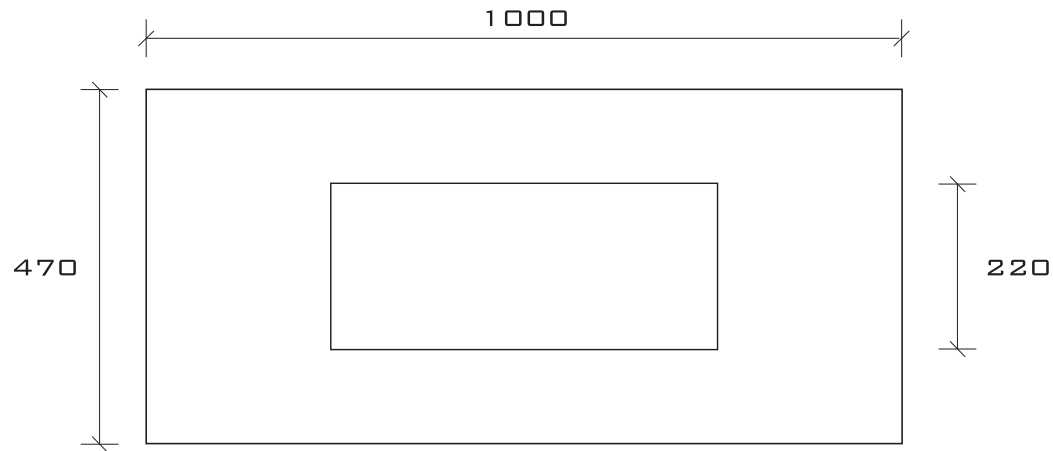


# FISSURE 1000

WWW.GAVINSCOTTDESIGN.COM  
TEL: 0151 647 3506  
FAX: 0151 647 5662  
SALES@GAVINSCOTTDESIGN.COM



**BUILDERS OPENING**  
580 WIDE X 360 HIGH X 350 DEEP

ALL DIMENSIONS IN MM